

3. Specifications

Buyer Model	Set (Indoor / Outdoor)		Unit	W12EG.SSJ / W12EG.NSJ / W12EG.UA3		
Factory Model				S3-W12JQAQA.EA6GEEU (S3NW12JQAQA.EA6GEEU / S3UW12JQAQA.EA6GEEU)		
Capacity	Cooling	Min ~ Rated ~ Max	kW	0.890	3.500	4.040
			Btu/h	3,039	11,950	13,794
	Cooling (T3)	Min ~ Rated ~ Max	kW	-	-	-
			Btu/h	-	-	-
	Heating	Min ~ Rated ~ Max	kW	0.890	4.000	5.100
			Btu/h	3,039	13,658	17,414
Heating -7°C	Max	kW	-	3.000	-	
Power Input	Cooling	Min ~ Rated ~ Max	W	200	1,080	1,400
	Cooling (T3)	Min ~ Rated ~ Max	W	-	-	-
	Heating	Min ~ Rated ~ Max	W	195	1,050	1,600
Running Current	Cooling	Min ~ Rated ~ Max	A	1.10	4.70	6.00
	Cooling (T3)	Min ~ Rated ~ Max	A	-	-	-
	Heating	Min ~ Rated ~ Max	A	1.10	4.70	7.00
EER			WW	-	3.24	-
			(Btu/h)/W	-	11.06	-
EER (T3)			WW	-	-	-
			(Btu/h)/W	-	-	-
SEER			WW	-	6.6	-
COP			WW	-	3.81	-
			(Btu/h)/W	-	13.01	-
SCOP			(kJ/h)/W	-	-	-
P design C / P design H			W	-	4	-
Energy Label Grade			kW	-	3.5 / 2.5	-
Annual Energy Consumption	Cooling / Heating		kWh/year	-	A++ / A+	-
Weighted EER			(Btu/h)/W	-	186 / 875	-
Power Supply			WW	-	-	-
Available Voltage Range			∅, V, Hz	-	1, 220-240, 50	-
Power Factor	Cooling / Heating		%	-	187 ~ 276	-
Moisture Removal			l/h	-	97.0 / 97.0	-
Indoor	Air Flow Rate	Cooling, SH / H / M / L	m³/min	-	12.5 / 10.0 / 7.5 / 4.2	-
		Heating, SH / H / M / L	m³/min	-	13.0 / 10.0 / 7.2 / 5.6	-
	Sound Pressure Level	Cooling, SH / H / M / L / SL	dB(A)	-	45 / 41 / 35 / 27 / 19	-
		Heating, SH / H / M / L	dB(A)	-	45 / 41 / 35 / 27	-
	Sound Power Level		dB(A)	-	59	-
	Dimensions (W × H × D)	Net	mm	-	837 x 308 x 189	-
		Shipping	mm	-	882 x 385 x 253	-
	Weight	Net	kg	-	8.7	-
		Shipping	kg	-	10.5	-
	Exterior Color Code				-	Munsell 7.5BG 10/2 (RAL 9016)
Outdoor	Air Flow Rate	Max	m³/min	-	27.0	-
	Fan Motor Speed	Cooling, Min ~ Max	rpm	-	200 ~ 1000	-
		Heating, Min ~ Max	rpm	-	200 ~ 1000	-
	Sound Pressure Level	Cooling, Rated	dB(A)	-	48	-
		Heating, Rated	dB(A)	-	50	-
	Sound Power Level		dB(A)	-	65	-
	Dimensions (W × H × D)	Net	mm	-	717 x 483 x 230	-
		Shipping	mm	-	836 x 540 x 321	-
Weight	Net	kg	-	25.1	-	
	Shipping	kg	-	27.2	-	
Max. Fuse Size			A	-	15	
Exterior Color Code				-	Munsell 9.54Y 8.34/1.31 (RAL 9001)	
Operation Range	Cooling	°C DB	-	-10 ~ 48	-	
	Heating	°C DB	-	-10 ~ 24	-	
	Heating	°C WB	-	-10 ~ 18	-	
Circuit Breaker			A	-	15	
Power Supply to Unit				-	Outdoor	
Power and Communication Cable			No. × mm²	-	4 × 1	
Piping	Size	Liquid	mm	-	∅ 6.35	
		Gas	mm	-	∅ 9.52	
Connections Method	Indoor / Outdoor			-	Flared / Flared	
Drain Hose Size	O.D. I.D		mm	-	21.5.16	
Between Indoor & Outdoor	Piping Length	Min / Standard / Max	m	-	3 / 7.5 / 15	
		No Charge	m	-	7.5	
	Max. Elevation Difference			m	-	7
Piping Connection Heat Insulation				-	Both liquid and gas pipes	
<p>Note</p> <ul style="list-style-type: none"> • -- : No Relation • All power supply and communication cables and circuit breaker must comply with applicable local and national codes. • Exterior color code is approximate value. • It is difficult to measure air flow rate of sleep because of small values. • Maximum heating capacity is for heating operation without any frost. • Fan motor speed could vary ±20 rpm according to the operating conditions. • It may cause reliability, performance, noise, and vibration problem, unless meeting the range of connecting pipe length. Keep the minimum piping length by making loops, although indoor unit and outdoor unit are close. <ul style="list-style-type: none"> • This product contains fluorinated greenhouse gases. • Some specifications may be changed without notifications due to our policy of innovation. • Test conditions are based on EN 14511 and EN 14825. 						

Inverter Single Wall Mounted - 50 Hz (R32)

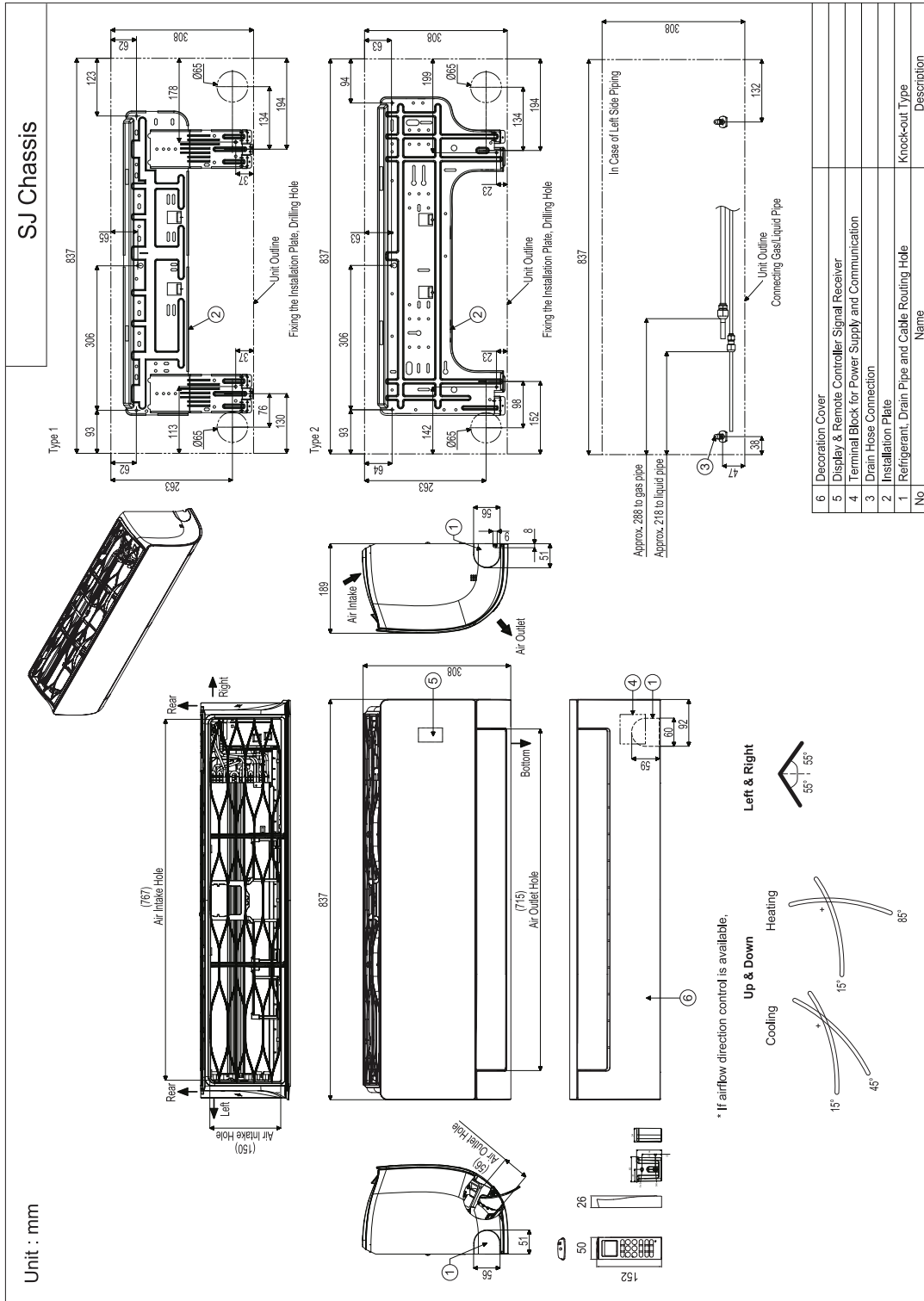
3. Specifications

Buyer Model	Set (Indoor / Outdoor)		Unit	W12EG.SSJ (W12EG.NSJ / W12EG.UA3) S3-W12JAQAA.EA6GEEU (S3NW12JAQAA.EA6GEEU / S3UW12JAQAA.EA6GEEU)	
Refrigerant	Type		-	R32	
	Pre Charge		kg	0.700	
	Additional Charge		g/m	20	
	Control		-	Electronic Expansion Valve	
	Global Warming Potential		-	675	
	t-CO ₂ eq		-	0.473	
Defrost Method			-	Reverse Cycle	
Tool Code (Chassis)	Indoor / Outdoor		-	SJ / UA3	
Compressor	Type		-	Twin Rotary	
	Model		-	DST102MAA	
	Motor Type		-	BLDC	
	Oil Type / Maker		-	PVE (FW68D) / IDEMITSU	
	Oil Charge		cc	280	
	O.L.P. Name		-	-	
	Manufacturer / Country of Origin		-	LG Electronics / China	
Fan (Indoor)	Type		-	Cross Flow Fan	
	Motor Output		W	30	
Fan (Outdoor)	Type		-	Propeller Fan	
	Motor Type		-	BLDC	
	Motor Output		W	43	
	Motor Insulation		-	Class E	
	Motor Enclosure / Ingress Protection		-	TEAO / IPX4	
Heat Exchanger	Evaporator	Material, Tube / Fin	-	Cu / Al	
		(ϕ x Row x Column x FPI x L) x Qty.	#1	($\phi 7 \times 2 \times 15 \times 21 \times 616.8$) x 1	
		(ϕ x Row x Column x FPI x L) x Qty.	#2	-	
		(ϕ x Row x Column x FPI x L) x Qty.	#3	-	
		(ϕ x Row x Column x FPI x L) x Qty.	#4	-	
	Condenser	Corrosion Protection	-	-	PCM
		Fin Type	-	-	Slit
		Material, Tube / Fin	-	-	Cu / Al
		(ϕ x Row x Column x FPI x L) x Qty.	#1	($\phi 7 \times 2 \times 22 \times 18 \times 667$) x 1	
		(ϕ x Row x Column x FPI x L) x Qty.	#2	-	
Corrosion Protection	-	-	Gold		
Fin Type	-	-	Corrugate		
Note					
<ul style="list-style-type: none"> • -: No Relation • All power supply and communication cables and circuit breaker must comply with applicable local and national codes. • Exterior color code is approximate value. • It is difficult to measure air flow rate of sleep because of small values. • Maximum heating capacity is for heating operation without any frost. • Fan motor speed could vary ± 20 rpm according to the operating conditions. • It may cause reliability, performance, noise, and vibration problem, unless meeting the range of connecting pipe length. Keep the minimum piping length by making loops, although indoor unit and outdoor unit are close. • This product contains fluorinated greenhouse gases. • Some specifications may be changed without notifications due to our policy of innovation. • Test conditions are based on EN 14511 and EN 14825. 					

5. Dimensional Drawings

5.1 Indoor Unit

W12EG.NSJ (S3NW12JAQAA.EA6GEEU)



5. Dimensional Drawings

5.2 Outdoor Unit

W12EG.UA3 (S3UW12JAQAA.EA6GEEU)

